

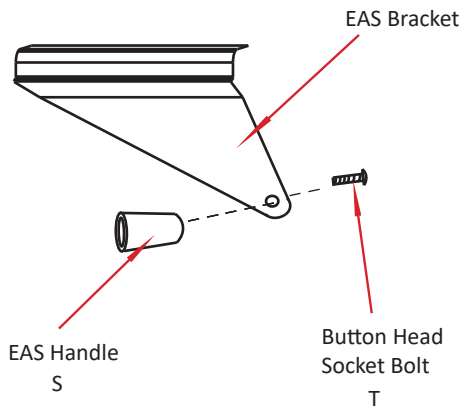
SMARTOP[®]

Vanish XL

by Leisure Concepts

Installation Instructions - Updated as of 07/30/20

Figure 1



Step #1

Position the Smartop (in closed position) on the spa making sure that all four corners are properly positioned and square on the spa.

Step #2

Attach the EAS handle to the EAS bracket using the supplied 5/16 x 1-1/4" button head socket bolt (see Fig. 1).

Step #3

Attach the Vanish XL pivot arms to the Smarttop using the supplied button head socket bolts and let the assembly hang freely (see Fig. 2). **Note: Make sure to run the bolts from the inside out. The locknuts need to be facing outwards. Also, make sure to use the supplied plastic washers as a spacer in between the metal plate on the pivot arms and the Vanish XL cover mounting bracket. Do not overtighten bolts, the pivot arms must rotate freely.**

Step #4

Swing the Vanish XL bracket assembly forward making sure the two pivot arms rest against each other (see Fig. 2). Attach the Vanish XL bracket assembly to the spa cabinet using the supplied #10 x 1-1/2" mounting screws. **Note: Make sure to put downward pressure on the Smartop when attaching the Vanish XL bracket assembly to the spa cabinet to ensure the Smartop is making a good seal with the acrylic of the spa.**

Step #5

Repeat steps 2, 3 & 4 for the opposite side of the spa.

Step #6

To attach the shocks to the bracket assembly, partially open your Smartop cover and snap the shocks onto the appropriate ball studs (see Fig. 3). **Note: Make sure the black body of the shock is pointing towards the middle of the Smartop.**

Step #7

Open the Smartop so it is in the fully upright position. Using the supplied #10 x 1-1/2" mounting screws, finish attaching the Vanish XL bracket assembly to the spa.

Step #8

Attach the Vanish XL cover plate to the bracket assembly using the supplied self-tapping screws. Next, thread the 3/8 x 3/4" hex cap bolt through the hole in the cover plate that lines up with the rear pivot arm (see Fig. 4). **Note: Do not overtighten hex cap bolt.**

Figure 2

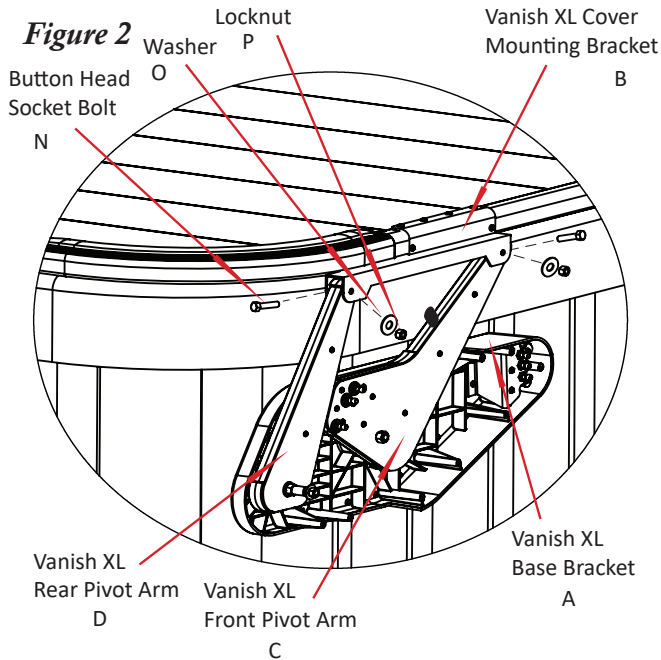


Figure 3

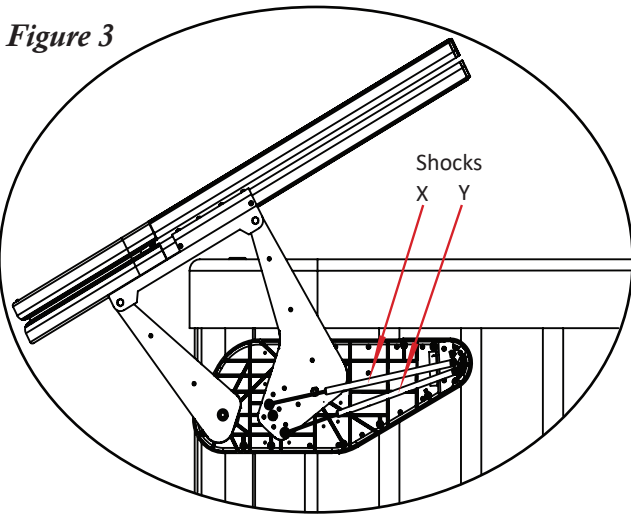
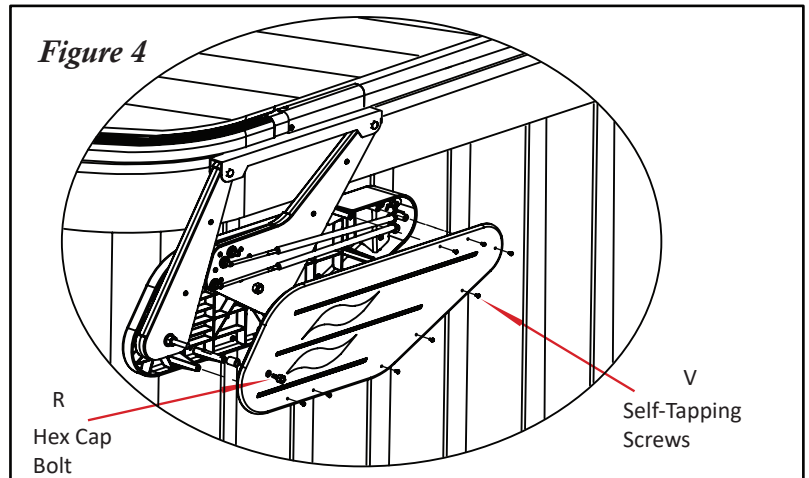


Figure 4

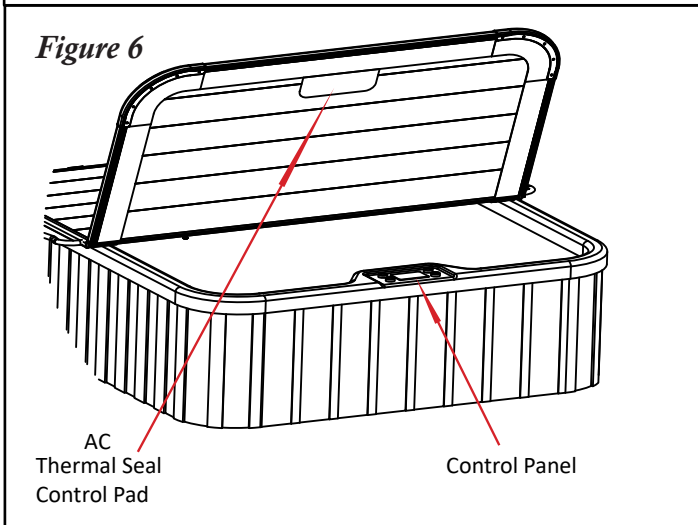
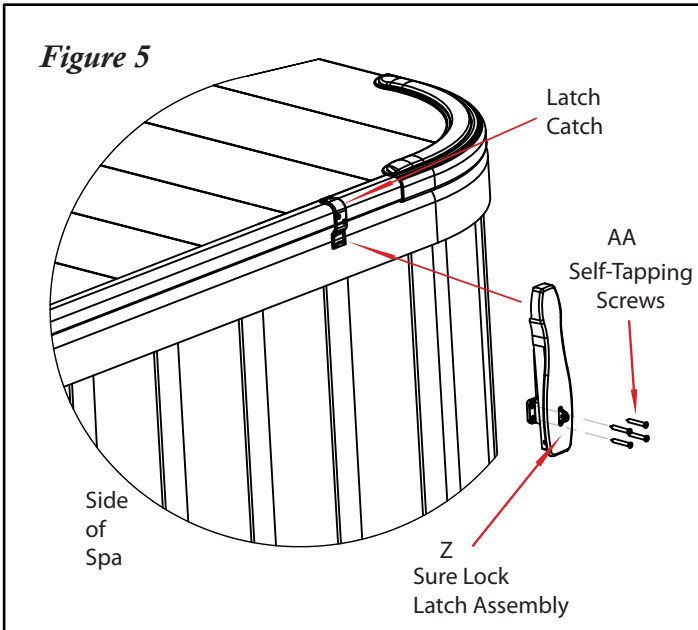


Step #9

Connect the Sure Lock latch to the latch catch. While pushing down on the Smartop, position the Sure Lock latch on the side of the spa and mark where the latch base rests against the spa skirting. Attach the Sure Lock latch to the spa skirting, where marked, using the supplied self-tapping screws (see Fig. 5).

Step #10

If the thermal seal on the underside of the Smartop does not completely seal around the control panel of your spa, an additional thermal seal control pad has been included with the Smartop. Close the Smartop and determine the position of the thermal seal pad. Open the Smartop cover onto itself, dry thoroughly and remove the backing of the thermal seal pad and attach it to the underside of the Smartop in the desired position (see Fig. 6).



Operation of your Smartop Cover

- 1) Fold the first half of the Smartop cover off the spa. While gripping the EAS handle, motion the Smartop cover into it's vertical upright position.

| ITEM | PART# | DESCRIPTION | QTY |
|------|--------|--|-----|
| A(L) | 101733 | ST VANISH XL BASE BRACKET (L) | 1 |
| A(R) | 101734 | ST VANISH XL BASE BRACKET (R) | 1 |
| B(L) | 101735 | ST VANISH XL COVER MOUNTING BRACKET (L) | 1 |
| B(R) | 101736 | ST VANISH XL COVER MOUNTING BRACKET (R) | 1 |
| C | 101737 | VANISH XL PIVOT ARM - FRONT | 1 |
| D | 101738 | VANISH XL PIVOT ARM - REAR | 1 |
| E | 101739 | VANISH XL PIVOT ARM PLATE - FRONT | 1 |
| F | 101740 | VANISH XL PIVOT ARM PLATE - REAR | 1 |
| G(L) | 101741 | BALL STUD MOUNTING PLATE - LEFT | 1 |
| G(R) | 101742 | BALL STUD MOUNTING PLATE - RIGHT | 1 |
| H(L) | 101743 | ST VANISH XL COVER PLATE (L) | 1 |
| H(R) | 101744 | ST VANISH XL COVER PLATE (R) | 1 |
| I | 101745 | VANISH XL COVER PLATE ANCHOR | 2 |
| J | 101746 | LARGE PIVOT ARM SHIM | 4 |
| K | 101747 | SMALL PIVOT ARM SHIM | 4 |
| L | 100244 | 5/16 BALL STUD | 12 |
| M | 100032 | 5/16 NYLON LOCKNUT | 12 |
| N | 101749 | 3/8 X 2" BUTTON HEAD SOCKET BOLT - BLACK ZINC | 4 |
| O | 100012 | 3/8 FLAT WASHER | 4 |
| P | 100011 | 3/8 NYLON LOCKNUT | 4 |
| Q | 101750 | 3/8 PLASTIC SHIM WASHER | 4 |
| R | 101752 | 3/8 X 3/4" HEX BOLT - BLACK ZINC | 2 |
| S | 101596 | EAS HANDLE | 2 |
| T | 101751 | 5/16 X 1-1/4" BUTTON HEAD SOCKET SCREW - BLACK ZINC | 2 |
| U | 100909 | #10 X 1-1/2" PHILIPS PAN HEAD MOUNTING SCREW | 36 |
| V | 100836 | #10 X 1" PHILIPS PAN HEAD MOUNTING SCREW - AL2000 BLACK | 16 |
| W | 100015 | LARGE BLACK DOME CAP | 6 |
| X | 101510 | SHOCK - 335N | 2 |
| Y | 101390 | SHOCK - 800N | 2 |
| Z | 101871 | SURE LOCK LATCH ASSEMBLY | 2 |
| AA | 101065 | #8 X 3/4" PHILIPS FLAT HEAD SELF-TAPPING SCREW - BLACK ZINC | 8 |
| AC | 101079 | THERMAL SEAL CONTROL PAD | 1 |
| AD | 101078 | LOCK | 1 |
| AE | 101762 | RUBBER BUMPER | 2 |
| AF | 101650 | #8 X 1-1/4" PHILIP FLAT HEAD SELF-TAPPING SCREW - BLACK ZINC | 2 |

CAUTION!

Do not use the Smartop in high wind conditions. Injury from the spa cover being blown over and impacting the spa user can occur.

For additional information on our Smartop product, please visit our website: www.smartopspacover.com