

Step #1

Position the Smartop (in the closed position) on the spa making sure that all four corners are properly positioned and square on the spa with the two cover halves meeting in the middle with no gap between the covers.

Step #2

Attach the EAS handles to the EAS brackets using the supplied 5/16 x 1-1/4" button head socket bolt (see Fig. 1).

Step #3

Insert the 3/8 x 2" button head socket bolt into the top hole in the back of the Smartop cover mounting bracket. Make sure to install the rubber stop on the button head socket bolt once you insert the bolt through the outside flange of the Smartop cover mounting bracket. Secure the 3/8 washer and locknut to the opposite end of the button head socket bolt (see Fig. 2). **Note: Do not overtighten locknut.**

Step #4

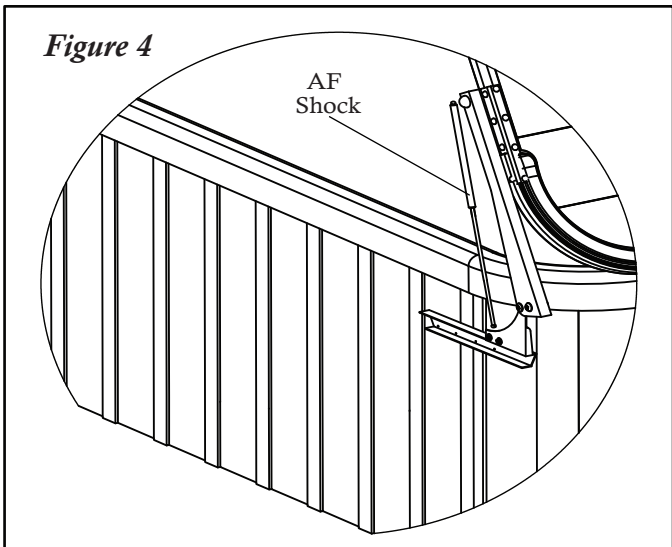
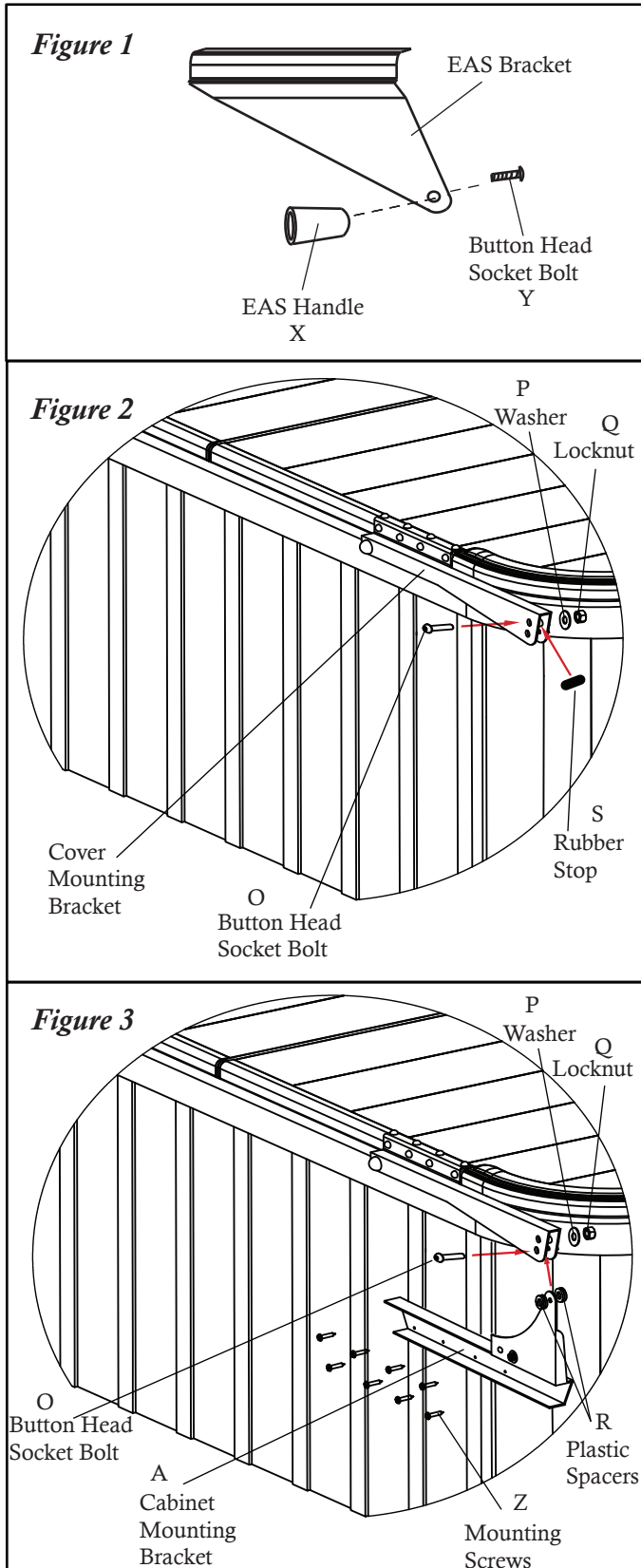
Attach the Smartop 3.0 cabinet mounting bracket to the Smartop 3.0 cover mounting bracket, in the bottom hole, using the supplied 3/8 x 2" button head socket bolt, washer and locknut (see Fig. 3). **Note: You are supplied with (7) plastic spacers per bracket, so make sure to use equal amounts on either sides of the Smartop cabinet mounting bracket where the bolt goes through.**

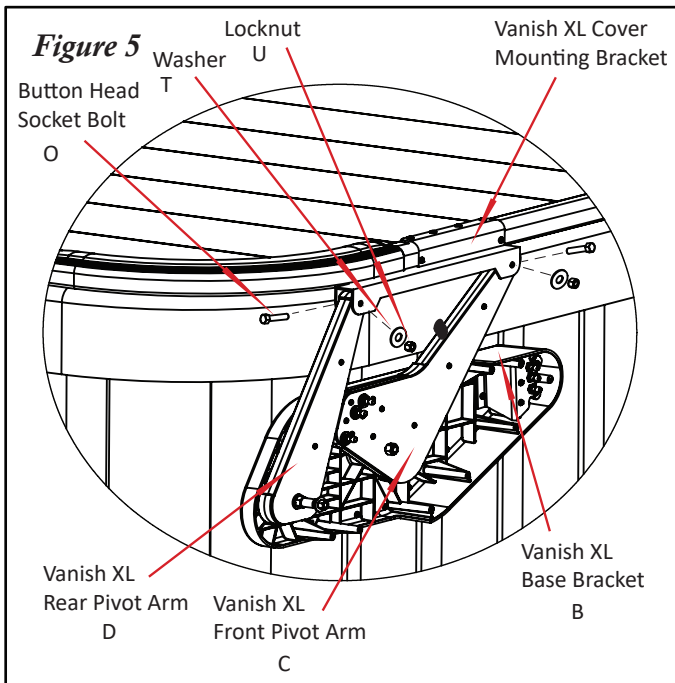
Step #5

While pressing downward on the Smartop cover mounting bracket, swing the Smartop cabinet mounting bracket up until it is parallel with the spa acrylic and attach to the spa cabinet using the supplied #10 x 2" mounting screws (see Fig. 3).

Step #6

Gently raise the Smartop into the upright position making sure to keep a firm grip on the cover and attach the shocks to the ball studs (see Fig. 4). **Note: When attaching the shocks, make sure the black body of the shock is on top. The ball studs are pre-installed in the hole closest to the back of the bracket. If the Smartop doesn't lift off the spa easily, start by moving the ball stud on one of the sides of the spa to the front hole and re-attach the shock. If the Smartop still doesn't lift off the spa easily, move the ball stud on the opposite side of the spa and re-attach the shock.**





Step #7

Starting with the 2nd cover, attach the Vanish XL pivot arms to the Smartop using the supplied button head socket bolts and let the assembly hang freely (see Fig. 5). **Note: Make sure to run the bolts from the inside out. The locknuts need to be facing outwards. Also, make sure to use the supplied plastic washers as a spacer in between the metal plate on the pivot arms and the Vanish XL cover mounting bracket. Do not overtighten bolts, the pivot arms must rotate freely.**

Step #8

Prior to completing this step, open the first half of the cover and adjust the position of the cover by 1/4" towards the middle of the spa. This is so that when the shocks are finally installed and motioned a couple times, the two covers seal against each other properly when they are in the closed position. Swing the Vanish XL bracket assembly forward making sure the two pivot arms rest against each other (see Fig. 5). Attach the Vanish XL bracket assembly to the spa cabinet using the supplied #10 x 1-1/2" mounting screws. **Note: Make sure to put downward pressure on the Smartop when attaching the Vanish XL bracket assembly to the spa cabinet to ensure the Smartop is making a good seal with the acrylic of the spa.**

Step #9

To attach the shocks to the bracket assembly, partially open your Smartop cover and snap the shocks onto the appropriate ball studs (see Fig. 6). **Note: Make sure the black body of the shock is pointing towards the middle of the Smartop. See the attached shock positioning guide.**

Step #10

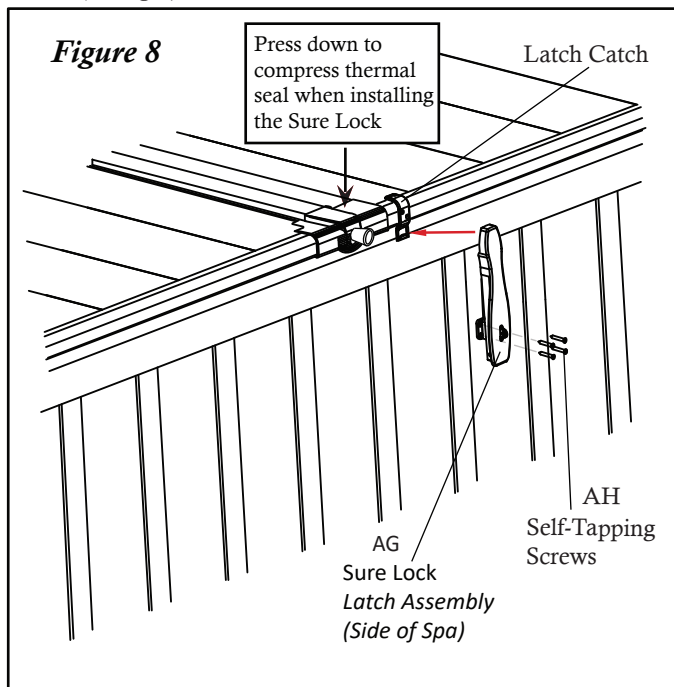
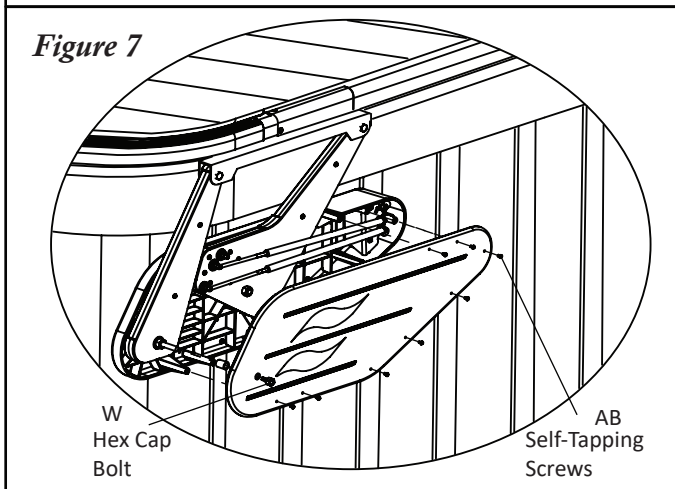
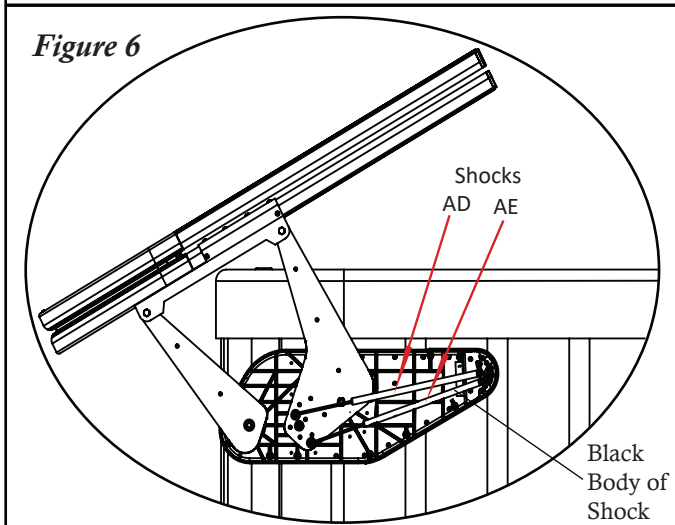
Open the Smartop so it is in the fully upright position. Using the supplied #10 x 1-1/2" mounting screws, finish attaching the Vanish XL bracket assembly to the spa.

Step #11

Attach the Vanish XL cover plate to the bracket assembly using the supplied self-tapping screws. Next, thread the 3/8 x 3/4" hex cap bolt through the hole in the cover plate that lines up with the rear pivot arm (see Fig. 7). **Note: Do not overtighten hex cap bolt.**

Step #12

Connect the Sure Lock latch assembly to the latch catch. While pushing down on the Smartop, position the Sure Lock latch on the side of the spa and mark where the latch base rests against the spa skirting. Attach the Sure Lock latch to the spa skirting, where marked, using the supplied #8 x 3/4" self-tapping screws (see Fig. 8).



Operation of your Smartop Cover

- 1) Fold the first half of the Smartop cover off the spa. While gripping the EAS handle, motion the Smartop cover into it's vertical upright position.

ITEM	PART#	DESCRIPTION	QTY
A(L)	101875	ST UPRIGHT 3.0 CABINET MOUNTING BRACKET (L)	1
A(R)	101876	ST UPRIGHT 3.0 CABINET MOUNTING BRACKET (R)	1
B(L)	101733	ST VANISH XL BASE BRACKET (L)	1
B(R)	101734	ST VANISH XL BASE BRACKET (R)	1
C	101737	VANISH XL PIVOT ARM - FRONT	2
D	101738	VANISH XL PIVOT ARM - REAR	2
E	101739	VANISH XL PIVOT ARM PLATE - FRONT	2
F	101740	VANISH XL PIVOT ARM PLATE - REAR	2
G(L)	101741	VANISH XL BALL STUD MOUNTING PLATE - LEFT	1
G(R)	101742	VANISH XL BALL STUD MOUNTING PLATE - RIGHT	1
H(L)	101743	ST VANISH XL COVER PLATE - LEFT	1
H(R)	101744	ST VANISH XL COVER PLATE - RIGHT	1
I	101745	VANISH XL COVER PLATE ANCHOR	2
J	101746	LARGE PIVOT ARM SHIM	4
K	101747	LARGE PIVOT ARM SHIM	4
L	100244	5/16 BALL STUD	16
M	100032	5/16 NYLON LOCKNUT	16
N	100034	BLACK HEX DOME CAP	4
O	101749	3/8 X 2" BUTTON HEAD SOCKET BOLT - BLACK ZINC	8
P	100951	3/8 FLAT WASHER - BLACK ZINC	4
Q	100838	3/8 NYLON LOCKNUT - BLACK ZINC	4
R	101877	3/8 X 1/8" PLASTIC SPACER	14
S	101885	RUBBER STOP	2
T	100012	3/8 FLAT WASHER	4
U	100011	3/8 NYLON LOCKNUT	4
V	101750	3/8 PLASTIC SHIM WASHER	4
W	101752	3/8 X 3/4" HEX BOLT - BLACK ZINC	2
X	101596	EAS HANDLE	4
Y	101751	5/16 X 1-1/4" BUTTON HEAD SOCKET BOLT - BLACK ZINC	4
Z	100359	#10 X 2" PHILIPS PAN HEAD MOUNTING SCREW	20
AA	100909	#10 X 1-1/2" PHILIPS PAN HEAD MOUNTING SCREW	40
AB	101873	#10 X 1" PHILIPS PAN HEAD SELF-TAPPING SCREW-BLACK ZINC	16
AC	100016	SMALL BLACK DOME CAPS	20
AD	101510	SHOCK - 335N	2
AE	101390	SHOCK - 800N	2
AF	101796 101880- 101884	SHOCK	2
AG	101871	SURE LOCK LATCH ASSEMBLY	2
AH	101065	#8 X 3/4" PHILIPS FLAT HEAD SELF-TAPPING SCREW (BLACK ZINC)	8
AI	101078	LOCK	1

CAUTION!

Do not use the Smartop in high wind conditions. Injury from the spa cover being blown over and impacting the spa user can occur.

For additional information on our Smartop product, please visit our website: www.smartopspacover.com