

Step #1

Position the cover (in closed position) on the spa making sure that all four corners are properly positioned and square on the spa.

Step #2

Attach the cover mounting bracket to the side of the cover, measure 9 inches from the back edge of the cover and mark the bracket position (see Fig. 2). **Note: If your spa has a 2 inch or less corner radius, mount your cover mounting brackets 7 inches from the back edge of the cover, not 9 inches.** When standing in front of the spa, the cover mounting bracket-left will be attached to the left side of the cover. For installations on Hot Spring Spas, pre-drill holes in the cover mounting bracket as shown (see Fig. 1). Next, attach the cover mounting bracket using the supplied #10 x 1" self-drilling screws. For non-Hot Spring Spa installations, attach the cover mounting bracket using the supplied 3M glue adhesive (see Fig. 3). **When applying 3M adhesive, make sure to apply it to both the vertical and horizontal sides of the cover mounting bracket where they come in contact with the vinyl cover, make sure to press firmly on the bracket and hold for 45 seconds for the glue to adhere.** **Note: You will use 1-1/2 3M adhesive tubes per bracket.**

Step #3

Attach the ball stud to the CM Zero spa mounting bracket in the hole closest to the back of the bracket (see Fig. 4). **Note: Once final installation has been completed, if the cover doesn't lift off the spa easily, start by moving one of the ball studs on one side of the spa to the front hole and re-attach the shocks. If the cover still doesn't lift off the spa easily, move the ball stud on the other side of the spa and re-attach the shocks.**

Step #4

Insert the 3/8 x 1-3/4" button head socket bolt into the top hole in the back of the cover mounting bracket. Make sure to install the rubber stop on the button head socket bolt once you insert the bolt through the outside flange of the cover mounting bracket. Secure the 3/8 washer and locknut to the opposite end of the button head socket bolt (see Fig. 5). **Note: Do not over-tighten locknut.**

Step #5

Attach the CM Zero cabinet mounting bracket to the CM Zero cover mounting bracket, in the bottom hole, using the supplied 3/8 x 1-3/4" button head socket bolt, washer and locknut (see Fig. 6). **Note: Make sure to use the plastic spacers on either sides of the CM Zero cabinet mounting bracket where the bolt goes through. You will use 7 plastic spacers for each side of the spa.**

Step #6

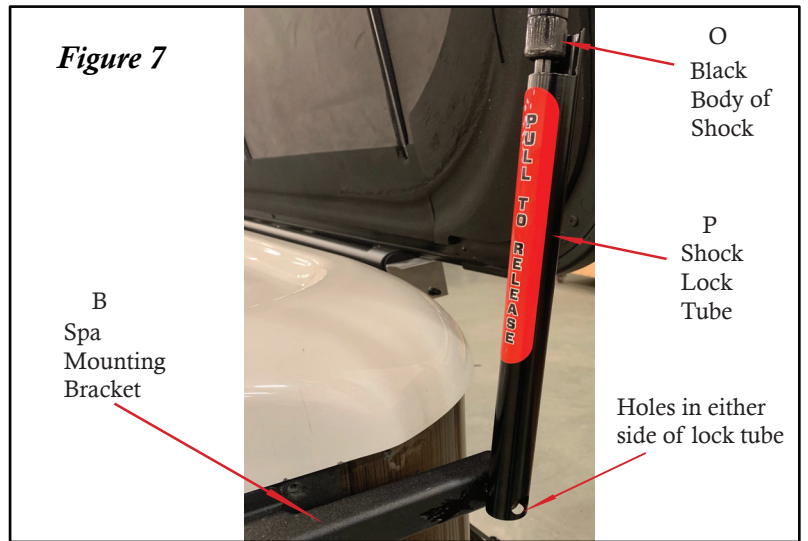
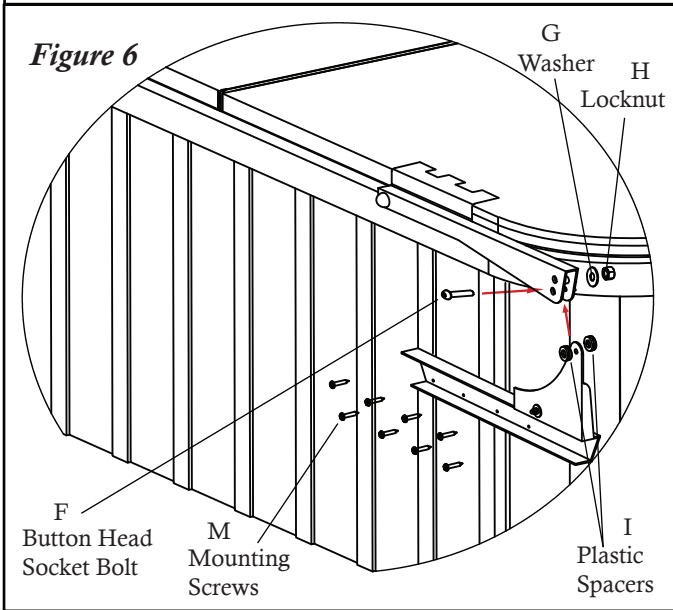
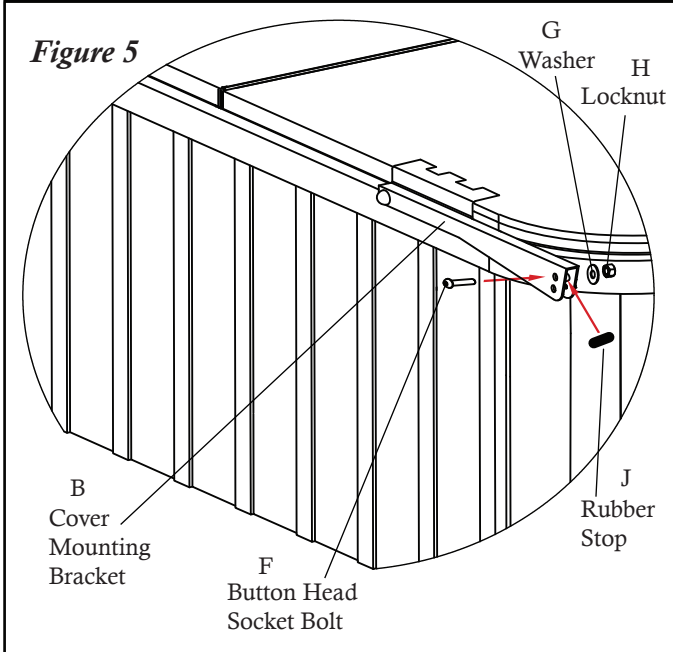
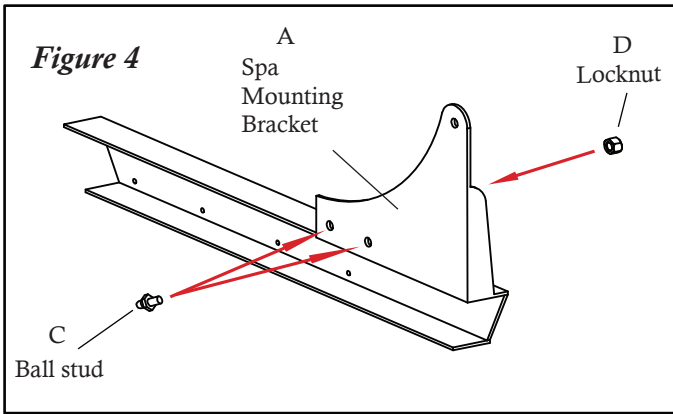
While pressing downward on the CM Zero cover mounting bracket, swing the CM Zero cabinet mounting bracket up until it is parallel with the spa acrylic and attach to the spa cabinet using the supplied #10 x 2" mounting screws (see Fig. 6).

Step #7

Attach the shock lock tube to the shock by sliding the skinny end of the shock down into the tube. Next, screw the shock end on the end of the shock. **Note: Once the shock is assembled, you should be able to read "Pull to Release" vertically (see Fig. 7).**

Step #8

Gently raise the cover into the upright position making sure to keep a firm grip on the cover and attach the shocks to the CM Zero cover mounting bracket ball stud (see Fig. 7). **Note: When attaching the shocks, make sure the black body of the shock is on top.** For the locking shock, attach the shock to the cabinet mounting bracket ball stud, make sure the ball stud goes through the hole in the lock tube then gets attached to the shock end. **Always make sure the "Pull to Release" sticker is pointing towards the middle of the spa.**



Operation of the Covermate Zero

1. Fold the first half of the spa cover off the spa. Gripping the foam grip, motion the spa cover into its vertical upright position.

2. **Important:** When closing the spa cover, always make sure to unlock the shock by pulling on the unlock tube that says "Pull to Release" before pulling the Covermate down to prevent possible lift damage.

CAUTION!

Do not use the Covermate in high wind conditions. Injury from the spa cover being blown over and impacting the spa user can occur.

ITEM	PART#	DESCRIPTION	QTY
A(L)	101875	CM ZERO SPA MOUNTING BRACKET (L)	1
A(R)	101876	CM ZERO SPA MOUNTING BRACKET (R)	1
B(L)	101891	CM ZERO COVER MOUNTING BRACKET (L)	1
B(C)	101892	CM ZERO COVER MOUNTING BRACKET (R)	1
C	100244	5/16 BALL STUD	4
D	100032	5/16 NYLON LOCKNUT	4
E	100034	BLACK HEX DOME CAP	2
F	101749	3/8 X 1-3/4" BUTTON HEAD SOCKET BOLT - BLACK ZINC	4
G	100951	3/8 WASHER - BLACK ZINC	4
H	100838	3/8 LOCKNUT - BLACK ZINC	4
I	101877	PLASTIC SPACER	14
J	101885	RUBBER STOP	2
K	101873	#10 x 1" PHILIPS PAN HEAD SELF DRILLING SCREW-BLACK	8
M	100359	#10 X 2" PHILIPS PAN HEAD MOUNTING SCREW	20
N	100016	SMALL BLACK DOME CAPS	28
O		SHOCK	2
P	101795	SHOCK LOCK TUBE	1
Q		SHOCK END	1
R	101511	3M ADHESIVE	3