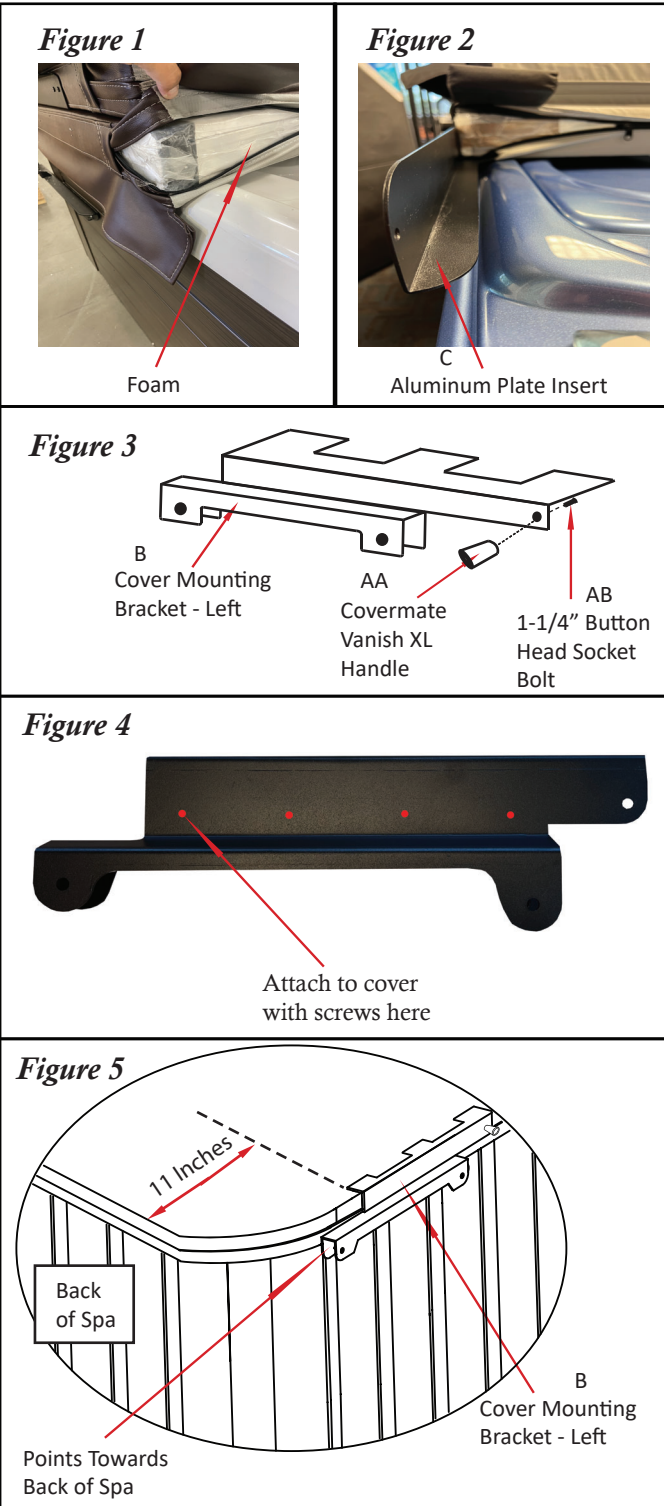




Install Video



Step #1

Position the cover (in closed position) on the spa making sure that all four corners are properly positioned and square on the spa.

Step #2

Measure 11" from the back edge of the cover and make a mark on the cover. (Do this on both sides as this will determine the position for the cover brackets). **Note: If your spa has a 4 inch or less corner radius, measure 10 inches from the back edge of the cover, not 11 inches.**

Step #3

Flip the front half of the cover onto the back half of the cover. Unzip the back half of the cover exposing the white foam (see Fig. 1). Next, slide the aluminum plate insert inbetween the foam and the vinyl cover making sure the short edge of the aluminum plate insert is facing towards the acrylic of the spa (see Fig. 2). Slide the aluminum plate inserts into the cover down to the marks made in step 2. Once in position, re-zip the cover.

Step #4

Re-position the cover (in closed position) on the spa making sure that all four corners are properly positioned and square on the spa.

Step #5

Attach the Covermate Vanish XL handle to the cover mounting bracket using the supplied 1-1/4" button head socket bolt (see Fig. 3).

Step #6

Place the cover mounting bracket on top of the cover, making sure the back edge of the cover bracket is positioned at the marks made in step 1. **Note: For determining L & R bracket, see Fig. 3.** Using (4) of the #10 x 1" self-drilling screws, attach the cover mounting bracket to the cover, making sure the screws hit the aluminum plates inserted in the cover in step 3 (see Fig. 4 for screw locations). **When attaching the cover mounting brackets, make sure to apply downward pressure on top of the bracket to avoid any tenting of the bracket on the cover.**

Step #7

Attach the pivot arms to the base mounting brackets using the supplied 2-1/4" button head socket bolts, washers & locknuts (see Fig. 6). **Note: Make sure to install the large and small pivot arm shims as shown. Make sure the pivot arms rotate freely, and do not overtighten bolts.** Next, attach the rubber bumpers to the front pivot arms using the supplied #8 x 1-1/4" self-tapping screws (see Fig. 6). Next, attach the ball stud mounting plates to the base mounting brackets, using the supplied #10 x 1-1/2" mounting screws (see Fig. 7).

Step #8

Attach the base mounting bracket/pivot arm assembly, built in step 7, to the cover mounting brackets using the supplied 2" black button head socket bolts, washers, plastic shim washers & locknuts. Let the assembly hang freely (see Fig. 7). **Note: Make sure to run the bolts from the inside out. The locknuts will be protruding out from the brackets. Use large beauty caps to cover the locknuts. Also, make sure to use the supplied plastic washers as a spacer in between the pivot arms and the cover mounting brackets (see Fig. 7). Do not overtighten the bolts, the pivot arms need to rotate freely.**

Step #9

Swing the base bracket assembly up until the front and rear pivot arms make contact with each other (see Fig. 8). Attach the base bracket assembly to the spa cabinet using the supplied #10 x 1-1/2" mounting screws. **Note: Install the mounting screws from just behind the front pivot arm forward (see Fig. 8).**

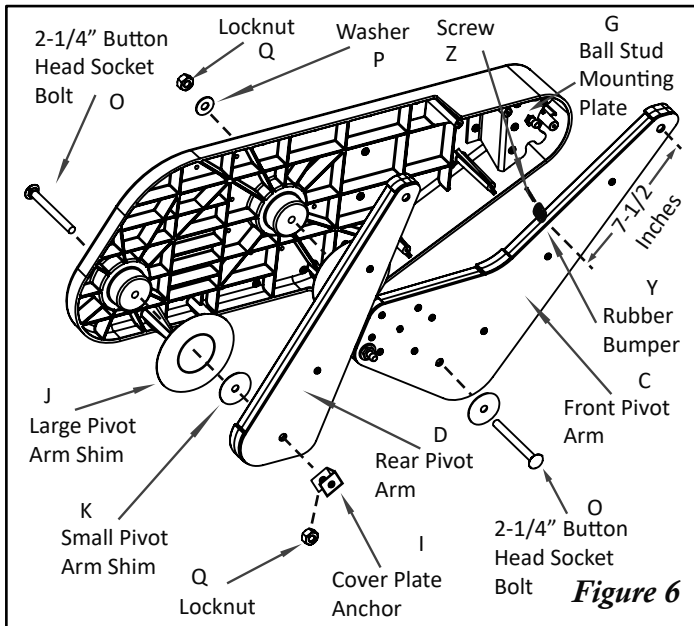


Figure 6

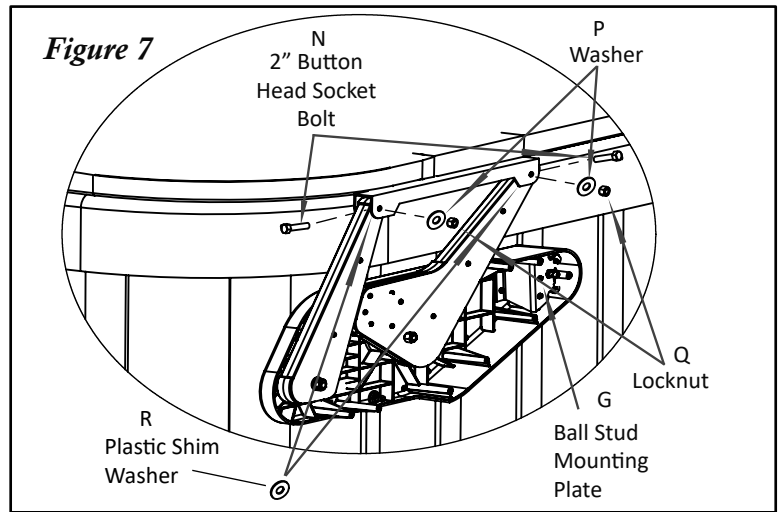


Figure 7

Step #10

To attach the shocks to the base bracket assembly, partially open your cover and snap the shocks onto the ball studs (see Fig. 8). *Note: Make sure the black body of the shock is pointing towards the front of the spa.*

Step #11

Open the vinyl cover so it is in the fully open position. Using the supplied #10 x 1-1/2" mounting screws, finish attaching the base bracket assembly to the spa.

Step #12

Attach the cover plate to the bracket assembly using the supplied #10 x 1" philips pan head self-tapping screws. Next, thread the 3/8 x 3/4" hex cap bolt through the hole in the cover plate that lines up with the rear pivot arm (see Fig. 9). *Note: Do not overtighten the hex cap bolt.*

Operation of your Covermate Vanish XL

- 1) Fold the first half of the cover off the spa. Next, lift up and push the cover back behind the spa.

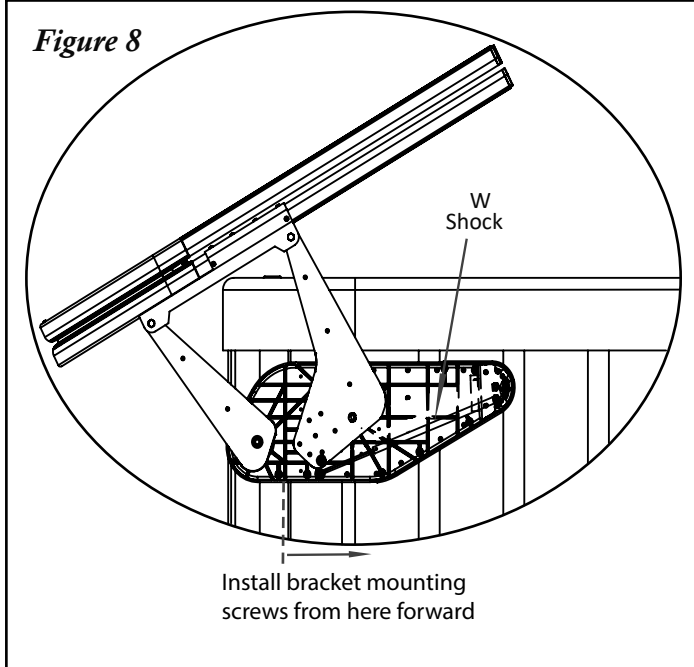


Figure 8

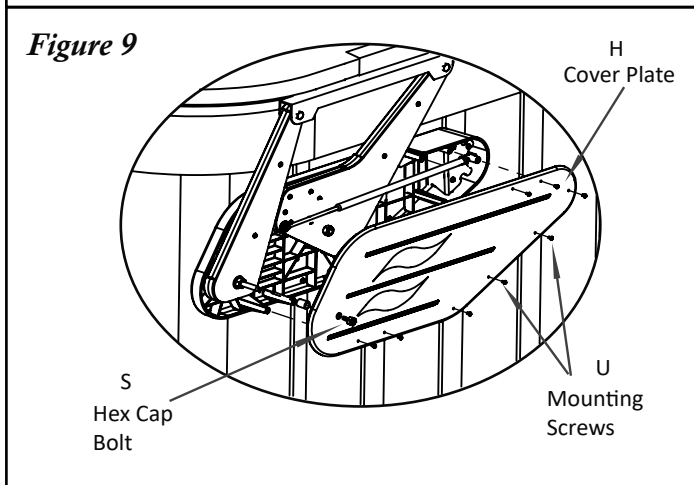


Figure 9

ITEM	PART#	DESCRIPTION	QTY
A(L)	101733	VANISH XL BASE BRACKET (L)	1
A(R)	101734	VANISH XL BASE BRACKET (R)	1
B(L)	101756	CM VANISH XL COVER MOUNTING BRACKET (L)	1
B(R)	101757	CM VANISH XL COVER MOUNTING BRACKET (R)	1
X	102141	CM VANISH XL ALUMINUM PLATE INSERT	2
C	101737	VANISH XL PIVOT ARM - FRONT	2
D	101738	VANISH XL PIVOT ARM - REAR	2
E	101739	VANISH XL PIVOT ARM PLATE - FRONT	2
F	101740	VANISH XL PIVOT ARM PLATE - REAR	2
G(L)	101741	BALL STUD MOUNTING PLATE - LEFT	1
G(R)	101742	BALL STUD MOUNTING PLATE - RIGHT	1
H(L)	101743	VANISH XL COVER PLATE (L)	1
H(R)	101744	VANISH XL COVER PLATE (R)	1
I	101745	VANISH XL COVER PLATE ANCHOR	2
J	101746	LARGE PIVOT ARM SHIM	4
K	101747	SMALL PIVOT ARM SHIM	4
L	100244	5/16 BALL STUD	4
M	100032	5/16 NYLON LOCKNUT	4
N	101749	3/8 X 2" BUTTON HEAD SOCKET BOLT - BLACK ZINC	4
O	101758	3/8 X 2-1/4" BUTTON HEAD SOCKET BOLT	4
P	100012	3/8 FLAT WASHER	6
Q	100011	3/8 NYLON LOCKNUT	8
R	101750	3/8 PLASTIC SHIM WASHER	2
S	101752	3/8 X 3/4" HEX CAP BOLT - BLACK ZINC	8
T	100909	#10 X 1-1/2" PHILIPS PAN HEAD MOUNTING SCREW	68
U	101873	#10 X 1" PHILIPS PAN HEAD MOUNTING SCREW - BLACK ZINC	26
V	100015	LARGE BLACK DOME CAP	6
W	101510	SHOCK - 335N	2
Y	101762	RUBBER BUMPER	2
Z	101650	#8 X 1-1/4" PHILIPS FLAT HEAD SELF-TAPPING SCREW - BLACK ZINC	2
AA	101552	COVERMATE VANISH XL HANDLE	2
AB	101751	5/16 X 1-1/4" BUTTON HEAD SOCKET BOLT	2
AC	100836	#10 X 1" PHILIPS PAN HEAD SELF-DRILLING SCREW - BLACK	8

CAUTION!

Do not use the Covermate in high wind conditions. Injury from the spa cover being blown over and impacting the spa user can occur.