

Step #1

Position the cover (in closed position) on the spa making sure that all four corners are properly positioned and square on the spa.

Step #2

Attach the Covermate Vanish XL handle to the cover mounting bracket using the supplied 1-1/4" button head socket bolt (see Fig. 1). **Note: The handle will face towards the middle of the spa when the cover mounting bracket is attached to the cover.**

Step #3

Attach the cover mounting bracket to the side of the cover, measure 12 inches from the back edge of the cover and mark the bracket position (see Fig. 2). **Note: When standing in front of the spa, the cover mounting bracket-left will be attached to the left side of the cover.** Next, using the supplied 3M glue adhesive, apply glue to the underside of the cover mounting bracket (see Fig. 3). **When applying 3M adhesive, make sure to apply it to both the vertical and horizontal sides of the cover mounting bracket where they come into contact with the cover, make sure to press firmly on the bracket and hold for 45 seconds for the glue to adhere.**

Step #4

Attach the Vanish XLR/XLRP pivot arms to the Vanish XL base mounting brackets using the supplied 2-1/4" button head socket bolts, washers & locknuts (see Fig. 4). **Note: Make sure to install the large and small pivot arm shims as shown. Make sure the pivot arms rotate freely, do not overtighten the bolts.** Next, Attach the rubber bumpers to the front and rear pivot arms using the supplied #8 x 1-1/4" self-tapping screws (see Fig. 4). **Note: Attach the rubber bumper on the front pivot arm first, then open the cover and notate where the rubber bumper needs to be attached to the rear pivot arm.**

Step #5

Attach the Vanish XLR/XLRP base/pivot arm assembly, built in step 4, to the cover mounting bracket, that is attached to the cover, using the supplied 2" button head socket bolts, washers, plastic shim washers & locknuts and let the assembly hang freely (see Fig. 5). **Note: Make sure to use the supplied plastic washers as a spacer in between the pivot arms and the Vanish XL cover mounting brackets (see Fig. 5). Do not overtighten the bolts, the pivot arms need to rotate freely. TIP: For an easier installation, flip the back half of the cover open to attach the Vanish XLR/XLRP base/pivot arm assembly to the cover mounting bracket. Once both sides are attached, hold the Vanish XLR/XLRP bracket assembly and flip the back half of the cover closed and proceed to Step #6.**

Step #6

Swing the Vanish XLR/XLRP bracket assembly up until the front and rear pivot arms make contact with each other (see Fig. 5). **Note: Make sure the screw hole noted in Fig. 6 is just forward of the edge of the corner skirting panel of the spa.** Attach the Vanish XLR/XLRP bracket assembly to the spa cabinet using the supplied #10 x 1-1/2" mounting screws. **Note: Install the bracket mounting screws from just behind the front pivot arm forward. Do not install the bracket mounting screws further back, otherwise the bracket will warp causing the lifter to not work properly (see Fig. 6).**

Step #7

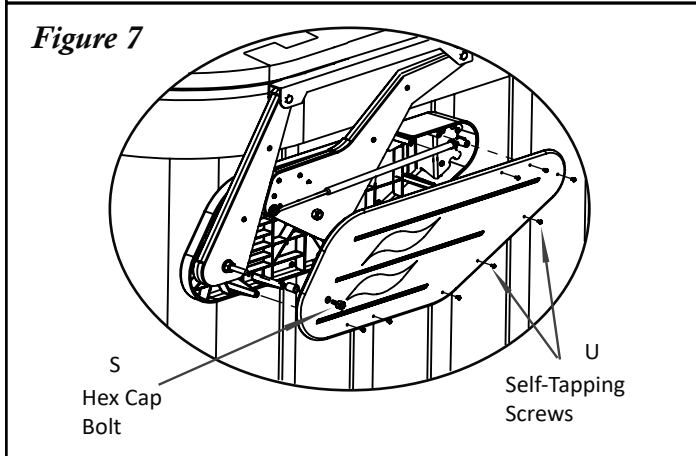
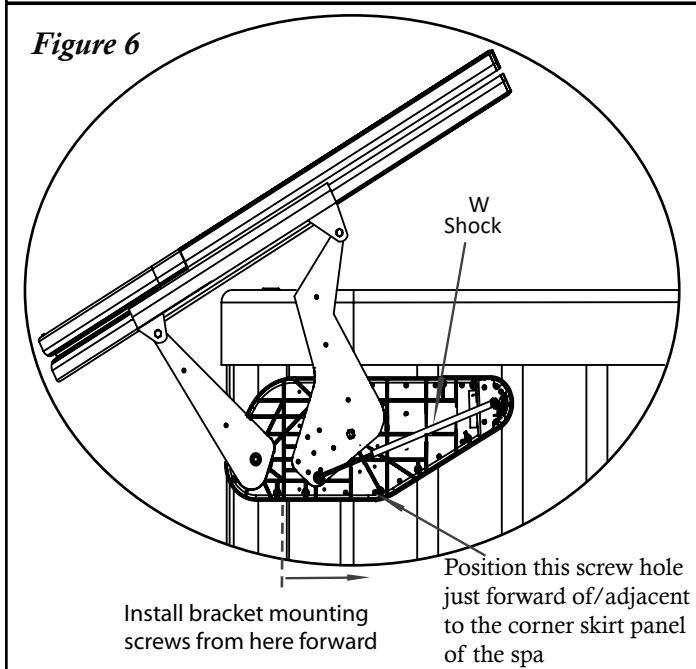
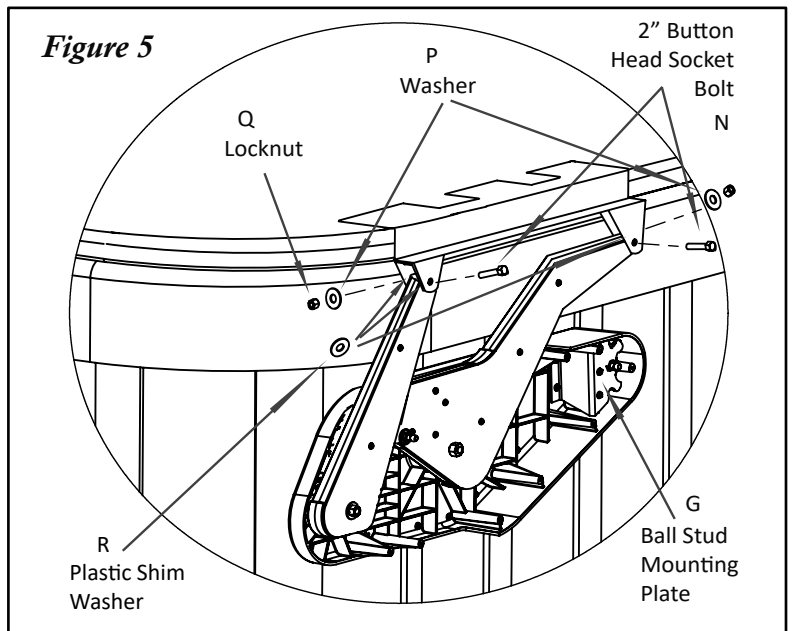
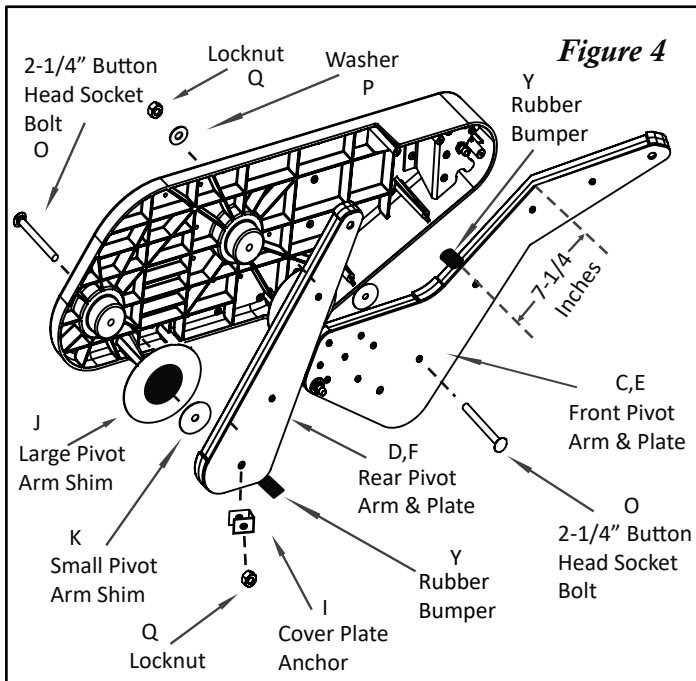
To attach the shocks to the bracket assembly, partially open your vinyl cover and snap the shocks onto the ball studs (see Fig. 6). **Note: Make sure the black body of the shock is pointing towards the middle of the spa.**

Step #8

Open the vinyl cover so it is in the fully open position. Using the supplied #10 x 1-1/2" mounting screws, finish attaching the Vanish XLR/XLRP bracket assembly to the spa.

Step #9

Attach the Vanish XLR/XLRP cover plate to the bracket assembly using the supplied #10 x 1" philips pan head self-tapping screws. Next, thread the 3/8 x 3/4" hex cap bolt through the hole in the cover plate that lines up with the rear pivot arm (see Fig. 7). **Note: Do not overtighten the hex cap bolt.**



Operation of your Covermate Vanish XLR/XLRP

- 1) Fold the first half of the cover off the spa. Next, lift up and push the cover back behind the spa.

ITEM	PART#	DESCRIPTION	QTY
A(L)	101733	VANISH XL BASE BRACKET (L)	1
A(R)	101734	VANISH XL BASE BRACKET (R)	1
B(L)	101854/101971	CM VANISH XLR/XLRP COVER MOUNTING BRACKET (L)	1
B(R)	101855/101972	CM VANISH XLR/XLRP COVER MOUNTING BRACKET (R)	1
C	101737	VANISH XLR/XLRP PIVOT ARM - FRONT	1
D	101738	VANISH XLR/XLRP PIVOT ARM - REAR	1
E	101858/101859	VANISH XLR/XLRP PIVOT ARM PLATE - FRONT	1
F	101856/101973 101857/101974	VANISH XLR/XLRP PIVOT ARM PLATE - REAR	1
G(L)	101741	BALL STUD MOUNTING PLATE - LEFT	1
G(R)	101742	BALL STUD MOUNTING PLATE - RIGHT	1
H(L)	101743	VANISH XL COVER PLATE (L)	1
H(R)	101744	VANISH XL COVER PLATE (R)	1
I	101745	VANISH XL COVER PLATE ANCHOR	2
J	101746	LARGE PIVOT ARM SHIM	4
K	101747	SMALL PIVOT ARM SHIM	4
N	101749	3/8 X 2" BUTTON HEAD SOCKET BOLT - BLACK ZINC	4
O	101758	3/8 X 2-1/4" BUTTON HEAD SOCKET BOLT	4
P	100012	3/8 FLAT WASHER	6
Q	100011	3/8 NYLON LOCKNUT	8
R	101750	3/8 PLASTIC SHIM WASHER	8
S	101752	3/8 X 3/4" HEX CAP BOLT - BLACK ZINC	2
T	100909	#10 X 1-1/2" PHILIPS PAN HEAD MOUNTING SCREW	36
U	101748	#10 X 1" PHILIPS PAN HEAD SELF-TAPPING SCREW - BLACK ZINC	26
V	100015	LARGE BLACK DOME CAP	6
W	101446/101447	SHOCK - 600N/700N	2
X	101511	3M ADHESIVE	3
Y	101762	RUBBER BUMPER	4
Z	101650	#8 X 1-1/4" PHILIPS FLAT HEAD SELF-TAPPING SCREW - BLACK ZINC	4
AA	101552	COVERMATE VANISH XL HANDLE	2
AB	101751	5/16 X 1-1/4" BUTTON HEAD SOCKET BOLT	2

CAUTION!

Do not use the Covermate in high wind conditions. Injury from the spa cover being blown over and impacting the spa user can occur.