

SMARTOP[®]

Upright 3.0

by Leisure Concepts

Installation Instructions - Updated as of 01/08/20

Step #1

Position the Smartop (in closed position) on the spa making sure that all four corners are properly positioned and square on the spa.

Step #2

Attach the EAS handle to the EAS bracket using the supplied 5/16 x 1-1/4" button head socket bolt (see Fig. 1).

Step #3

Note: The ball studs will be pre-installed in the hole closest to the back of the bracket. If the cover doesn't lift off the spa easily, start by moving one of the ball studs on one side of the spa to the front hole and re-attach the shocks. If the cover still doesn't lift off the spa easily, move the ball stud on the other side of the spa and re-attach the shocks.

Step #4

Insert the 3/8 x 2" button head socket bolt into the top hole in the back of the Smartop cover mounting bracket. Make sure to install the rubber stop on the button head socket bolt once you insert the bolt through the outside flange of the Smartop cover mounting bracket. Secure the 3/8 washer and locknut to the opposite end of the button head socket bolt (see Fig. 3). **Note:** Do not overtighten locknut.

Step #5

Attach the Smartop 3.0 cabinet mounting bracket to the Smartop 3.0 cover mounting bracket, in the bottom hole, using the supplied 3/8 x 2" button head socket bolt, washer and locknut (see Fig. 4). **Note:** Make sure to use the plastic spacers on either sides of the Smartop cabinet mounting bracket where the bolt goes through.

Step #6

While pressing downward on the Smartop cover mounting bracket, swing the Smartop cabinet mounting bracket up until it is parallel with the spa acrylic and attach to the spa cabinet using the supplied #10 x 2" mounting screws (see Fig. 4).

Step #7

Gently raise the Smartop into the upright position making sure to keep a firm grip on the cover and attach the shocks to the ball studs (see Fig. 5). **Note:** When attaching the shocks, make sure the black body of the shock is on top.

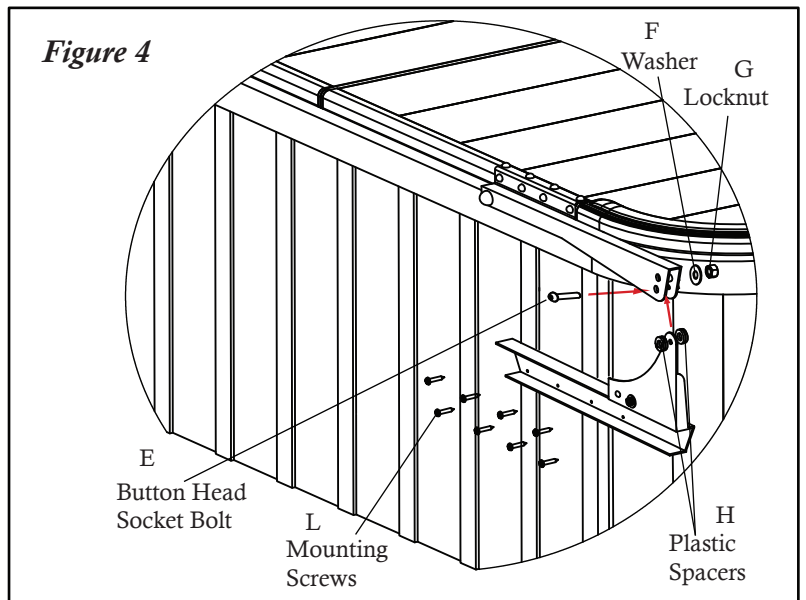
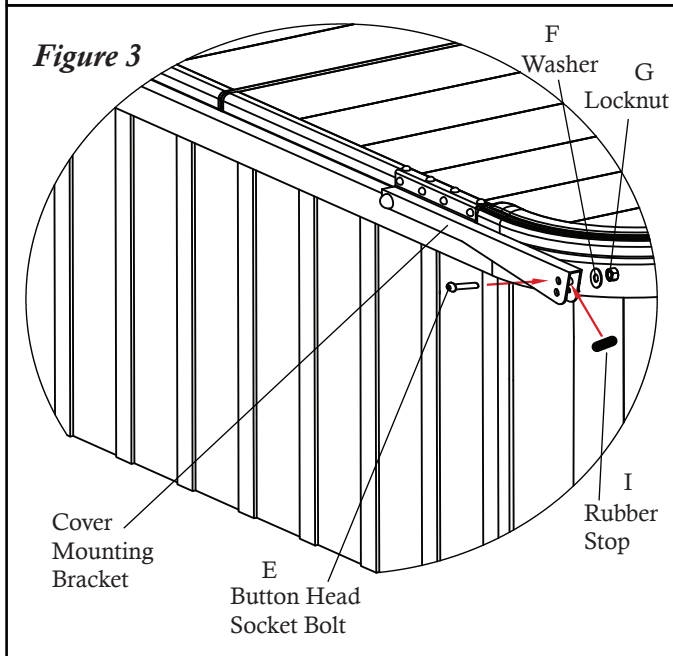
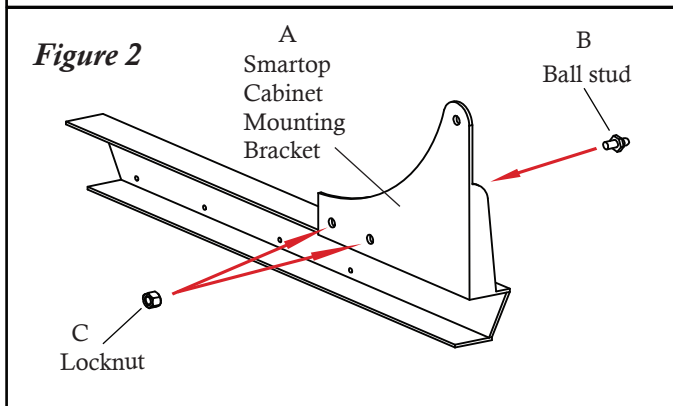
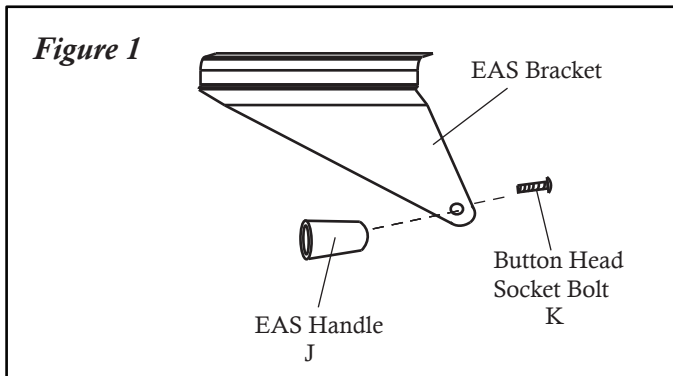


Figure 5

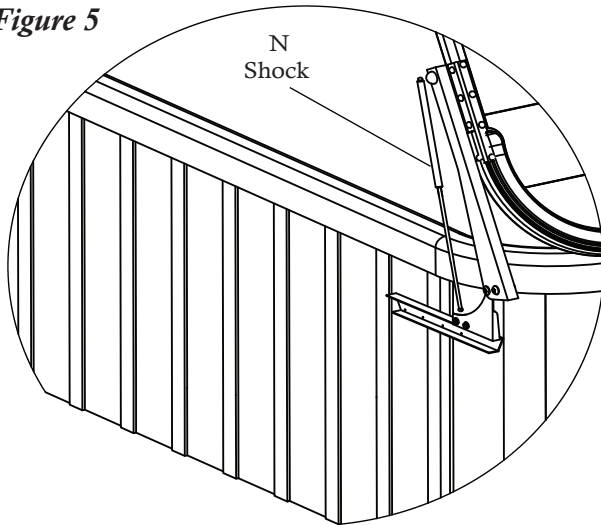
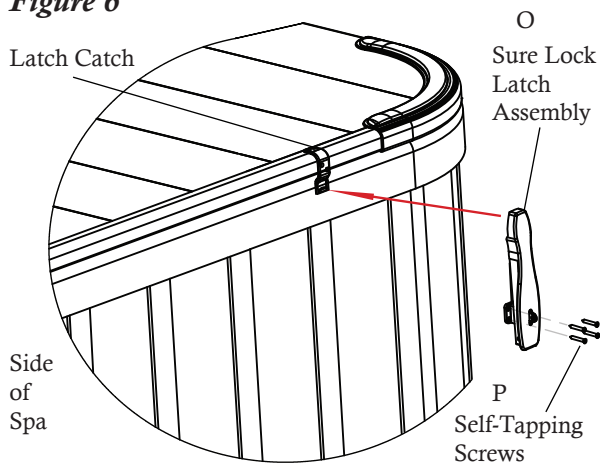


Figure 6



Step #7

Connect the Sure Lock latch to the latch catch. While pushing down on the Smartop, position the Sure Lock latch on the side of the spa and mark where the latch base rests against the spa skirting. Attach the Sure Lock latch to the spa skirting, where marked, using the supplied #8 x 3/4" self-tapping screws (see Fig. 6).

ITEM	PART#	DESCRIPTION	QTY
A(L)	101875	ST UPRIGHT 3.0 SPA MOUNTING BRACKET (L)	1
A(R)	101876	ST UPRIGHT 3.0 SPA MOUNTING BRACKET (R)	1
B	100244	5/16 BALL STUD	4
C	100032	5/16 NYLON LOCKNUT	4
D	100034	BLACK HEX DOME CAP	2
E	101749	3/8 X 2" BUTTON HEAD SOCKET BOLT - BLACK ZINC	4
F	100951	3/8 WASHER - BLACK ZINC	4
G	100838	3/8 LOCKNUT	4
H	101877	PLASTIC SPACER-3/8 X 1/8"	14
I	101885	RUBBER STOP - 1-1/8"	2
J	101596	EAS HANDLE	2
K	101751	5/16 X 1-1/4" BUTTON HEAD SOCKET BOLT - BLACK ZINC	2
L	100359	#10 X 2" PHILIPS PAN HEAD MOUNTING SCREW	20
M	100016	SMALL BLACK DOME CAPS	24
N	101796 101880- 101884	SHOCK	2
O	101871	SURE LOCK LATCH ASSEMBLY	2
P	101065	#8 X 3/4" PHILIPS FLAT HEAD SELF-TAPPING SCREW (BLACK ZINC)	8
Q	101078	LOCK	1