

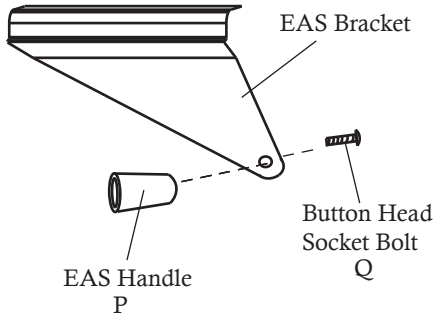
# SMARTOP

Upright 3.0

by Leisure Concepts

Installation Instructions - Updated as of 08/24/23

Figure 1



**Step #1**

Position the Smartop (in closed position) on the spa making sure that all four corners are properly positioned and square on the spa.

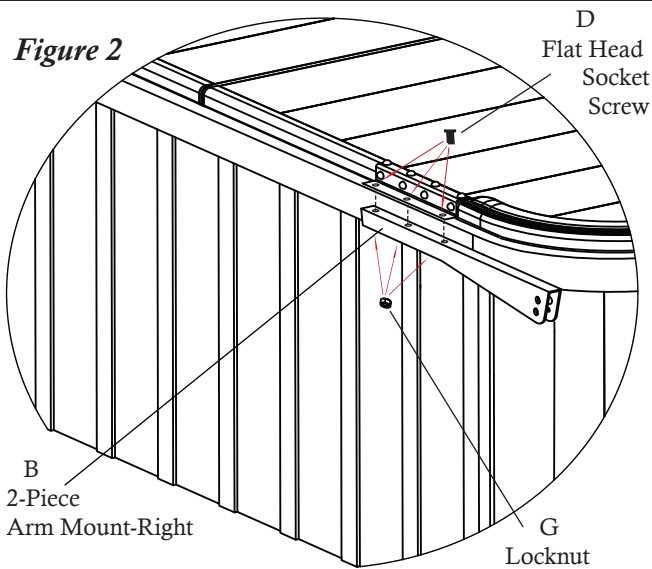
**Step #2**

Attach the EAS handle to the EAS bracket using the supplied 5/16 x 1-1/4" button head socket bolt (see Fig. 1).

**Step #3**

Attach the 2-piece arm mount to the Smartop cover using the supplied 1/4 x 3/4" flat head socket screws, 1/4 flat washers & 1/4 locknuts (see Fig. 2). **Note:** For proper shock alignment, the ball stud must face the acrylic of the spa.

Figure 2



**Step #4**

Insert the 3/8 x 2" button head socket bolt into the top hole in the back of the Smartop cover mounting bracket. Make sure to install the rubber stop on the button head socket bolt once you insert the bolt through the outside flange of the Smartop cover mounting bracket. Secure the 3/8 washer and locknut to the opposite end of the button head socket bolt (see Fig. 3). **Note:** Do not overtighten locknut.

**Step #5**

Attach the Smartop 3.0 cabinet mounting bracket to the Smartop 3.0 2-piece arm mount, in the bottom hole, using the supplied 3/8 x 2" button head socket bolt, washer and locknut (see Fig. 4).

**Step #6**

While pressing downward on the Smartop cover mounting bracket, swing the Smartop cabinet mounting bracket up until it is parallel with the spa acrylic and attach to the spa cabinet using the supplied #10 x 2" mounting screws (see Fig. 4). **Note:** You may need to use the "optional" bracket shims to correctly position the Smartop cabinet mounting bracket to the side of the spa.

Figure 3

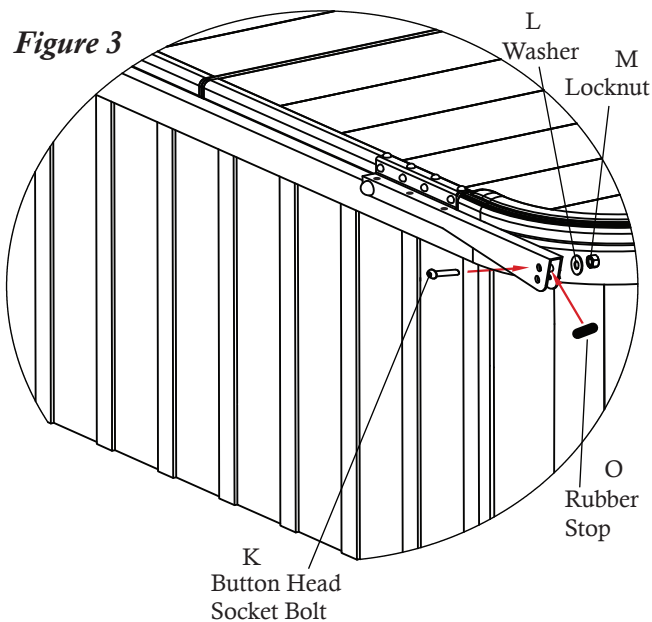
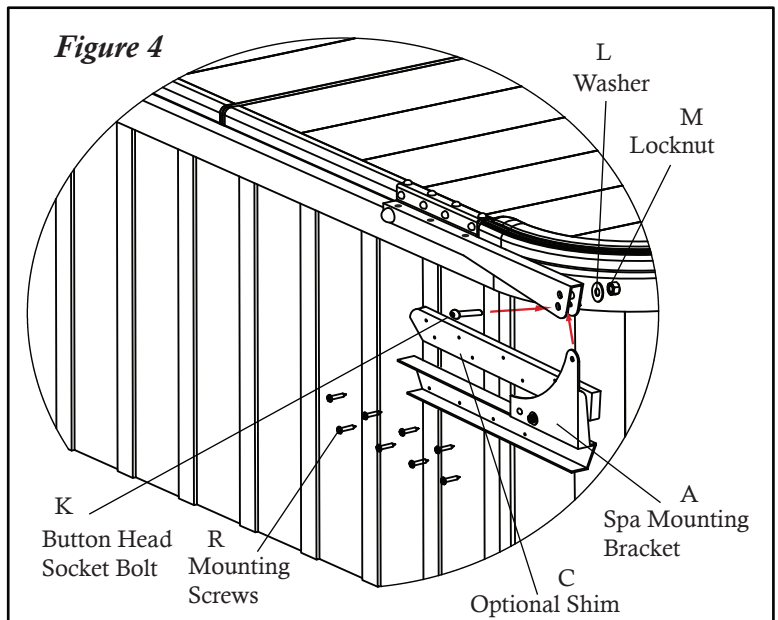
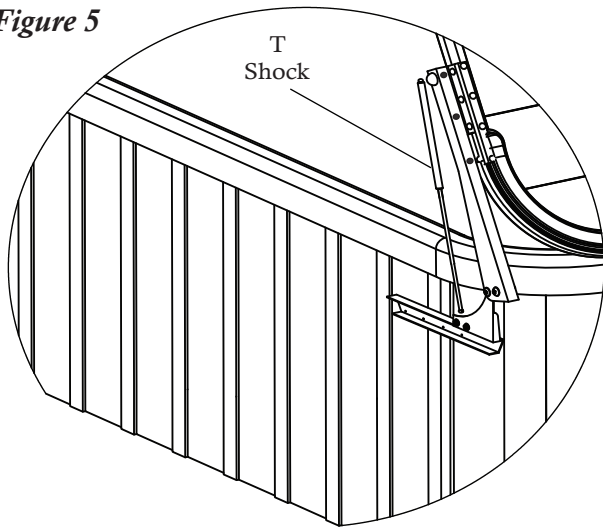


Figure 4



**Figure 5**



**Step #7**

Gently raise the Smartop into the upright position making sure to keep a firm grip on the cover and attach the shocks to the ball studs (see Fig. 5). **Note:** When attaching the shocks, make sure the black body of the shock is on top. The ball studs are pre-installed in the hold closest to the back of the bracket. If the Smartop doesn't lift off the spa easily, start by moving the ball stud on one of the sides of the spa to the front hole and re-attach the shock. If the Smartop still doesn't lift off the spa easily, repeat the process on the opposite side of the spa.

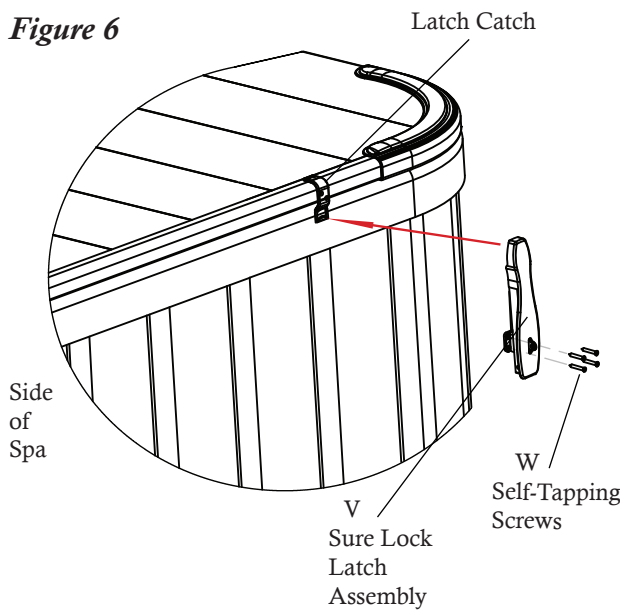
**Step #8**

Connect the Sure Lock latch assembly to the latch catch. While pushing down on the Smartop, position the Sure Lock latch on the side of the spa and mark where the latch base rests against the spa skirting. Attach the Sure Lock latch to the spa skirting, where marked, using the supplied #8 x 3/4" self-tapping screws (see Fig. 6).

**Operation of your Smartop Cover**

- 1) Fold the first half of the Smartop cover off the spa. While gripping the EAS handle, motion the Smartop cover into it's vertical upright position.

**Figure 6**



ITEM	PART#	DESCRIPTION	QTY
A(L)	102177	ST UPRIGHT 3.0 SPA MOUNTING BRACKET - LEFT	1
A(R)	102178	ST UPRIGHT 3.0 SPA MOUNTING BRACKET - RIGHT	1
B(L)	102175	ST UPRIGHT 3.0 2-PIECE ARM MOUNT - LEFT	1
B(R)	102181	ST UPRIGHT 3.0 2-PIECE ARM MOUNT - RIGHT	1
C	101084	ST BRACKET SHIM (OPTIONAL)	2
D	101592	1/4 X 3/4" FLAT HEAD SOCKET SCREW - BLACK	6
F	100895	1/4 FLAT WASHER - BLACK	6
G	100607	1/4 NYON LOCKNUT	6
H	100244	5/16 BALL STUD	4
I	100032	5/16 NYLON LOCKNUT	4
J	100034	BLACK HEX DOME CAP	2
K	101749	3/8 X 2" BUTTON HEAD SOCKET BOLT - BLACK ZINC	4
L	100951	3/8 WASHER - BLACK ZINC	4
M	100838	3/8 LOCKNUT	4
O	101885	RUBBER STOP - 1-1/8"	2
P	101596	EAS HANDLE	2
Q	101751	5/16 X 1-1/4" BUTTON HEAD SOCKET BOLT - BLACK ZINC	2
R	100359	#10 X 2" PHILIPS PAN HEAD MOUNTING SCREW	20
S	100016	SMALL BLACK DOME CAPS	24
T	101796 101880-101884	SHOCK	2
V	101871	SURE LOCK LATCH ASSEMBLY	2
W	101065	#8 X 3/4" PHILIPS FLAT HEAD SELF-TAPPING SCREW (BLACK ZINC)	8
X	101078	LOCK	1