

Step #1

Position the cover (in closed position) on the spa making sure that all four corners are properly positioned and square on the spa.

Step #2

Attach the Covermate Vanish XL handle to the cover mounting bracket using the supplied 1-1/4" button head socket bolt (see Fig. 1).

Step #3

Attach the cover mounting bracket to the side of the cover, measure 12 inches from the back edge of the cover and mark the bracket position (see Fig. 2). **Note: If your spa has a 4 inch or less corner radius, mount your cover mounting brackets 10 inches from the back edge of the cover, not 12 inches.** When standing in front of the spa, the cover mounting bracket-left will be attached to the left side of the cover. For installations on Hot Spring Spas, pre-drill holes in the cover mounting bracket as shown (see Fig. 1). Next, attach the cover mounting bracket using the supplied #10 x 1" self-drilling screws. For non-Hot Spring Spa installations, attach the cover mounting bracket using the supplied 3M glue adhesive (see Fig. 3). **When applying 3M adhesive, make sure to apply it to both the vertical and horizontal sides of the cover mounting bracket where they come in contact with the vinyl cover.**

Step #4

Attach the Vanish XL pivot arms to the Vanish XL base mounting brackets using the supplied 2-1/4" button head socket bolts, washers & locknuts (see Fig. 4). **Note: Make sure to install the large and small pivot arm shims as shown. Make sure the pivot arms rotate freely, do not overtighten bolts.** Next, attach the rubber bumpers to the front pivot arms using the supplied #8 x 1-1/4" self-tapping screws (see Fig. 4).

Step #5

Attach the Vanish XL base/pivot arm assembly, built in step 4, to the cover mounting brackets attached to the cover using the supplied 2" button head socket bolts, washers, plastic shim washers & locknuts and let the assembly hang freely (see Fig. 5). **Note: Make sure to run the bolts from the inside out. The locknuts need to be facing outwards. Also, make sure to use the supplied plastic washers as a spacer in between the pivot arms and the Vanish XL cover mounting brackets (see Fig. 5). Do not overtighten the bolts, the pivot arms need to rotate freely.**

Step #6

Swing the Vanish XL bracket assembly up until the front and rear pivot arms make contact with each other (see Fig. 5). Attach the Vanish XL bracket assembly to the spa cabinet using the supplied #10 x 1-1/2" mounting screws. **Note: Install the bracket mounting screws from just behind the front pivot arm forward. Do not install the bracket mounting screws further back, otherwise the bracket will warp causing the lifter to not work properly (see Fig. 6).**

Step #7

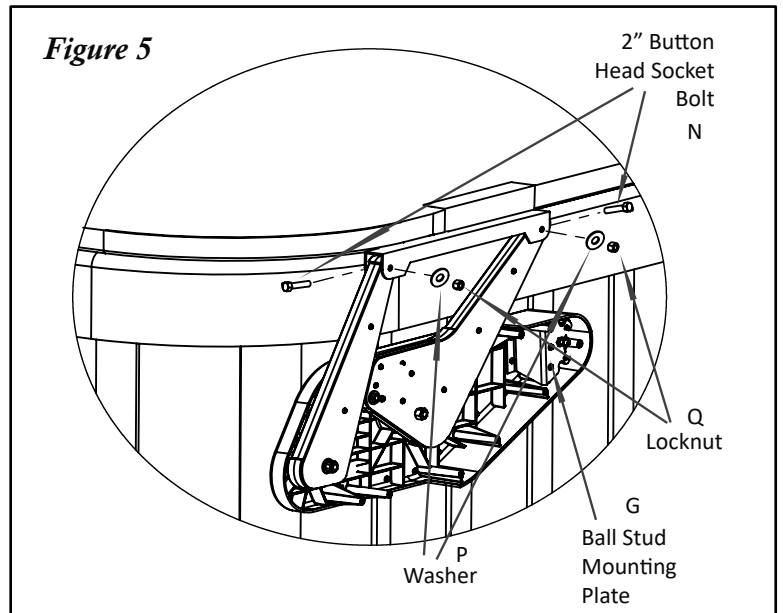
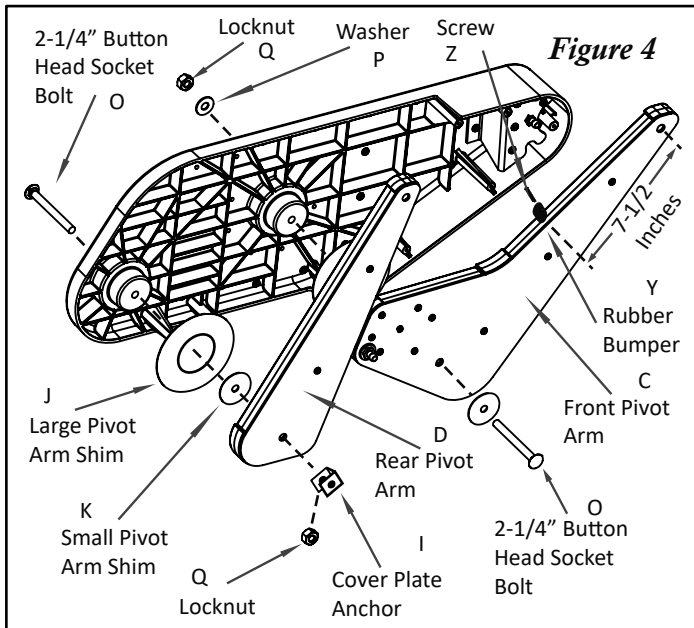
To attach the shocks to the bracket assembly, partially open your vinyl cover and snap the shocks onto the ball studs (see Fig. 6). **Note: Make sure the black body of the shock is pointing towards the middle of the spa.**

Step #8

Open the vinyl cover so it is in the fully open position. Using the supplied #10 x 1-1/2" mounting screws, finish attaching the Vanish XL bracket assembly to the spa.

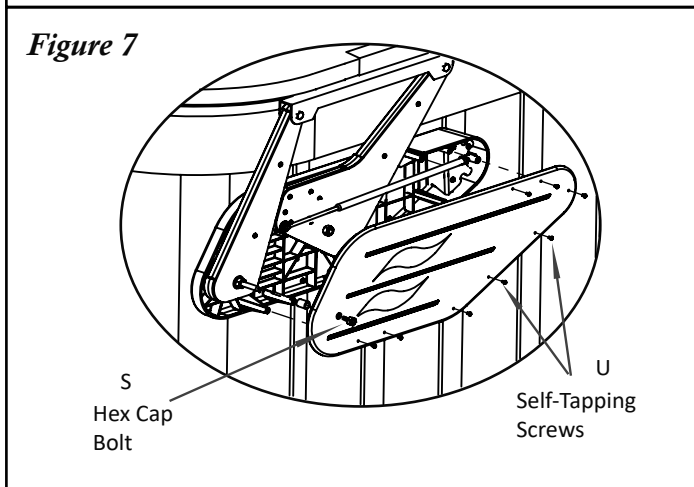
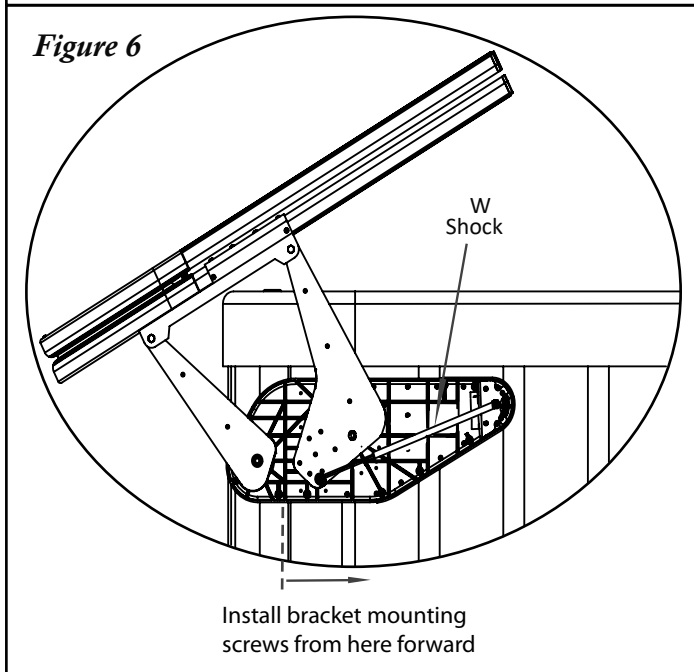
Step #9

Attach the Vanish XL cover plate to the bracket assembly using the supplied #10 x 1" philips pan head self-tapping screws. Next, thread the 3/8 x 3/4" hex cap bolt through the hole in the cover plate that lines up with the rear pivot arm (see Fig. 7). **Note: Do not overtighten the hex cap bolt.**



Operation of your Covermate Vanish XL

- 1) Fold the first half of the cover off the spa. Next, lift up and push the cover back behind the spa.



| ITEM | PART# | DESCRIPTION | QTY |
|------|--------|---|-----|
| A(L) | 101733 | VANISH XL BASE BRACKET (L) | 1 |
| A(R) | 101734 | VANISH XL BASE BRACKET (R) | 1 |
| B(L) | 101756 | CM VANISH XL COVER MOUNTING BRACKET (L) | 1 |
| B(R) | 101757 | CM VANISH XL COVER MOUNTING BRACKET (R) | 1 |
| C | 101737 | VANISH XL PIVOT ARM - FRONT | 1 |
| D | 101738 | VANISH XL PIVOT ARM - REAR | 1 |
| E | 101739 | VANISH XL PIVOT ARM PLATE - FRONT | 1 |
| F | 101740 | VANISH XL PIVOT ARM PLATE - REAR | 1 |
| G(L) | 101741 | BALL STUD MOUNTING PLATE - LEFT | 1 |
| G(R) | 101742 | BALL STUD MOUNTING PLATE - RIGHT | 1 |
| H(L) | 101743 | VANISH XL COVER PLATE (L) | 1 |
| H(R) | 101744 | VANISH XL COVER PLATE (R) | 1 |
| I | 101745 | VANISH XL COVER PLATE ANCHOR | 2 |
| J | 101746 | LARGE PIVOT ARM SHIM | 4 |
| K | 101747 | SMALL PIVOT ARM SHIM | 4 |
| L | 100244 | 5/16 BALL STUD | 4 |
| M | 100032 | 5/16 NYLON LOCKNUT | 4 |
| N | 101749 | 3/8 X 2\"/> | |

CAUTION!

Do not use the Covermate in high wind conditions. Injury from the spa cover being blown over and impacting the spa user can occur.