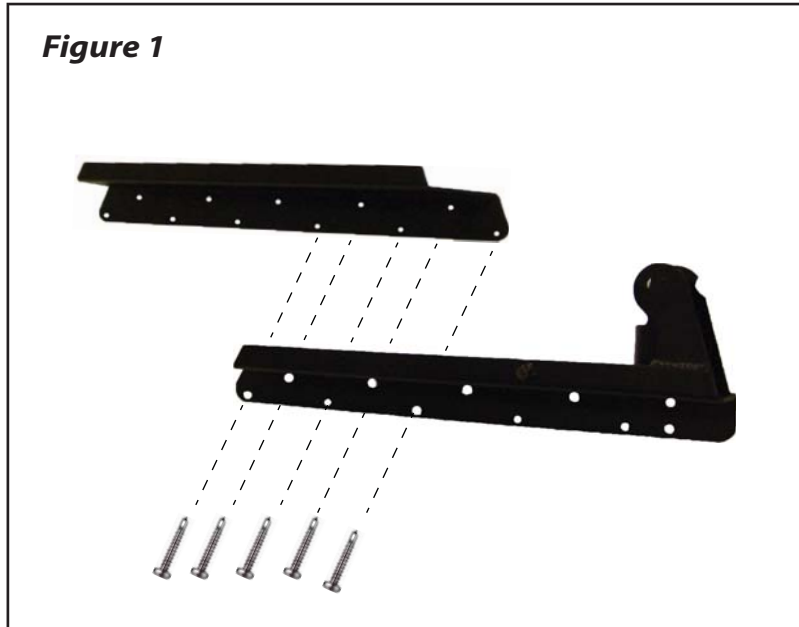


Covermate III Eco Extender Bracket

Installation Instructions - Updated as of 07/21/11



Step #1

Attach the CMIII Eco Extender Bracket in between the CMIII Eco Bracket and the Spa using the provided #10 x 1" Mounting Screws. **Note:** *At least 5 mountings screws must be used to attach the CMIII Eco Bracket to the CMIII Eco Extender Bracket.*